

Installation Instructions

—2022



WARNING:

- Read all instructions prior to installing product.
- Refer to manufacturers safety instructions when operating any tools.
- Improper installation of this product can result in personal injury. Always wear safety goggles when cutting, drilling and assembling the product.
- Incorrect installation may cause harm to the product or individual.
- Check local building codes to determine pool-safe fencing options.

TOOLS NEEDED:

Posts

Post Tops

Concrete

Coarse Gravel (6" per hole)

Post Hole Digger/Shovel

String Line Stakes with String

Level

Tape Measure

Rubber Mallet

Safety Glasses

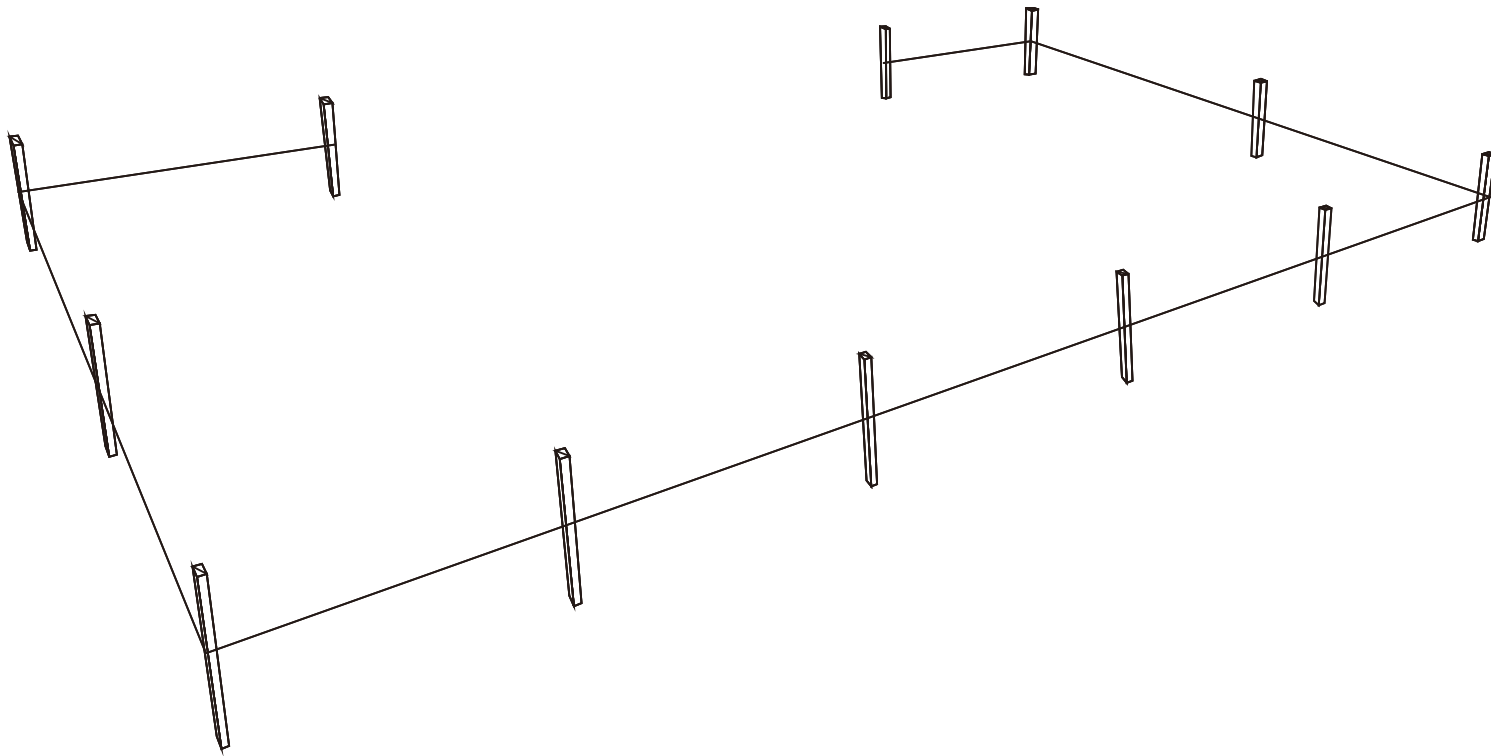
Glue

1 Fence Location:

Mark the fence location using string and line stakes.

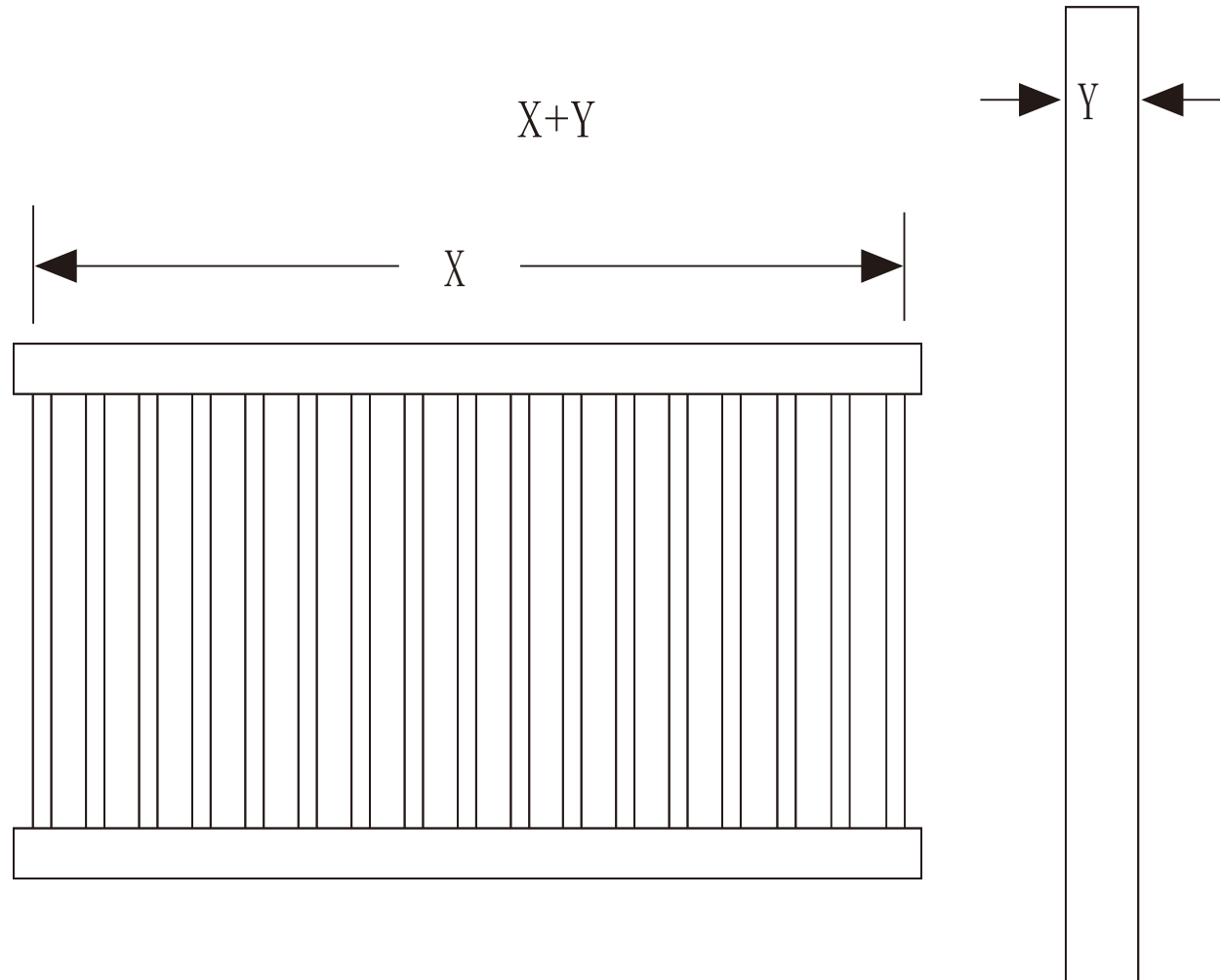
NOTE:

Plan gate placement, opening and hardware clearance before installing fencing.



2 Post Location:

Measure the width of the fence panel (X) plus the width of the post (Y). This is the common centerto-center measurement for post hole location.



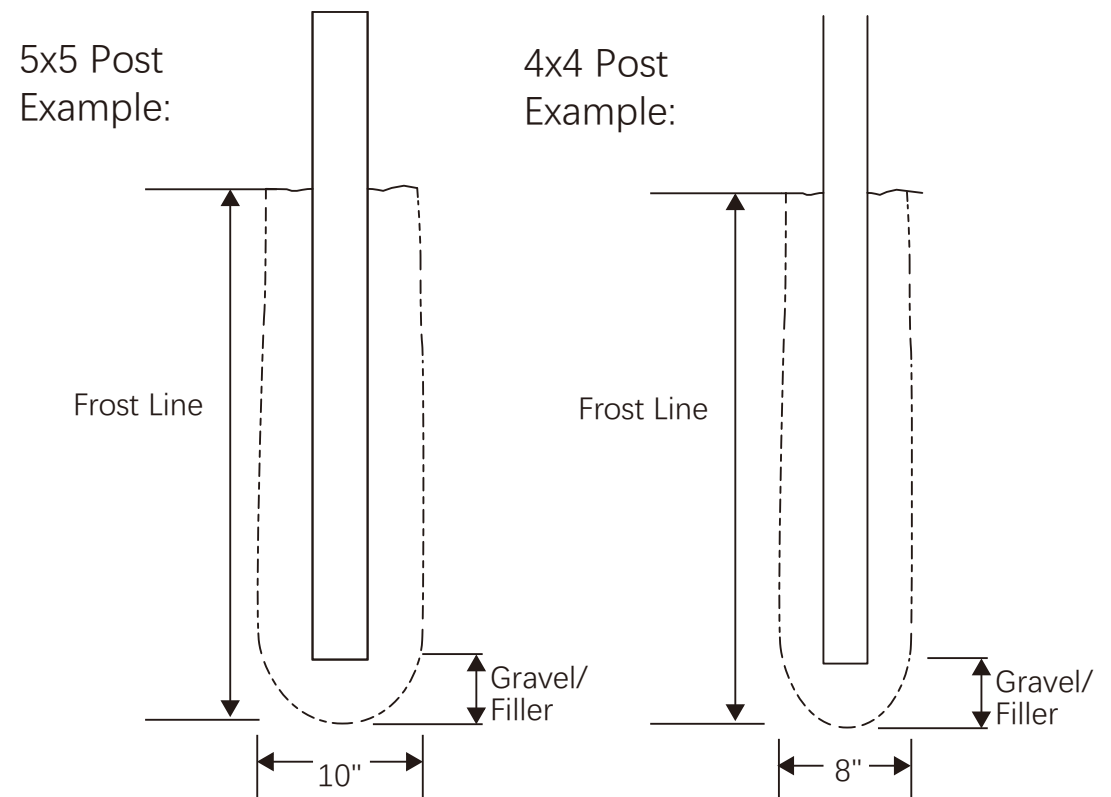
3 Post Installation:

Dig first two post holes in diameter based on size chart below* and down to your specified frost line. Insert filler/gravel into the bottom of both holes and then set first post in post hole.

Add wet or dry concrete mix according to the manufacturer's instruction to the top of the hole for first post only and level it.

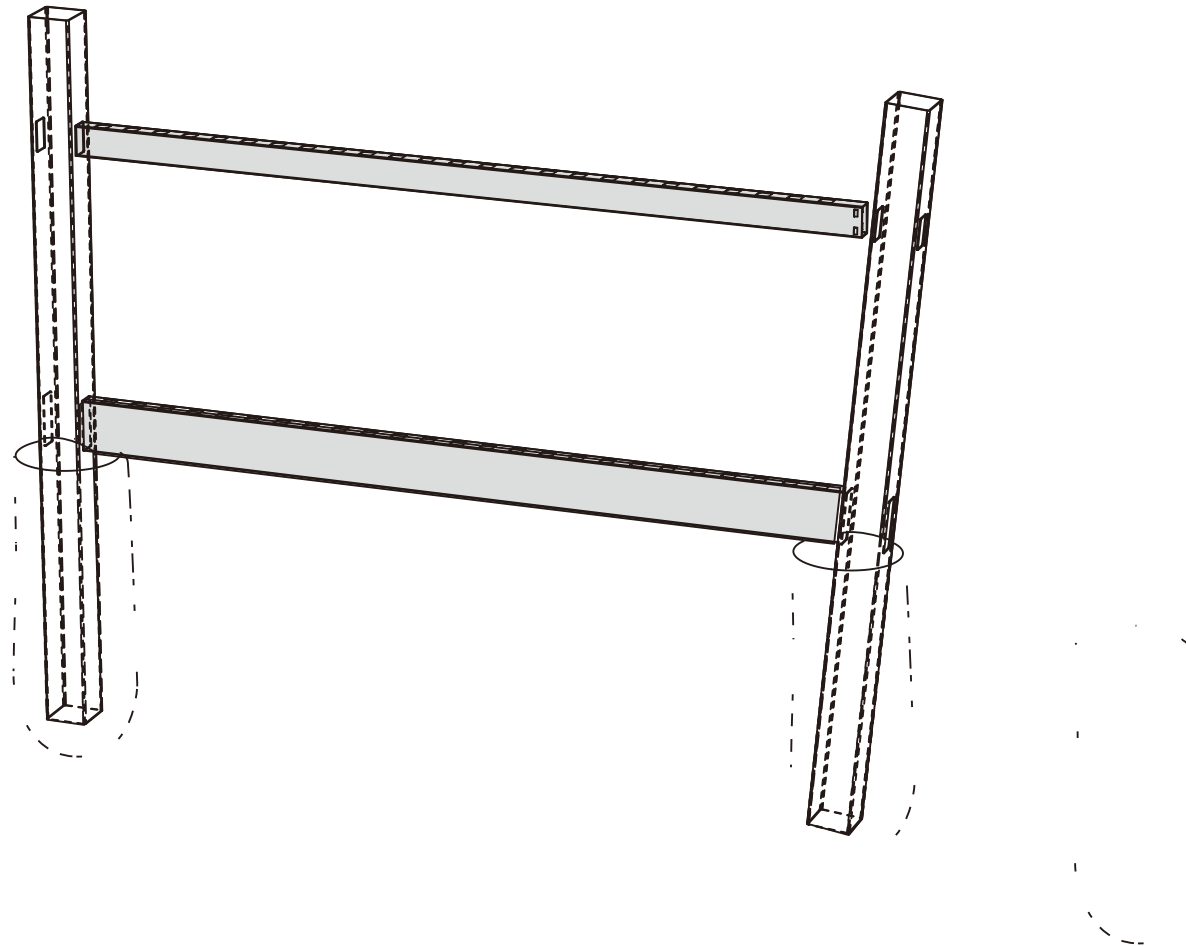
Example: When your frost line is 36" insert 12" of gravel/ filler and 24" of post with concrete surrounding.

Diameters based on post size:
10" for 5" x 5" post
8" for 4" x 4" post



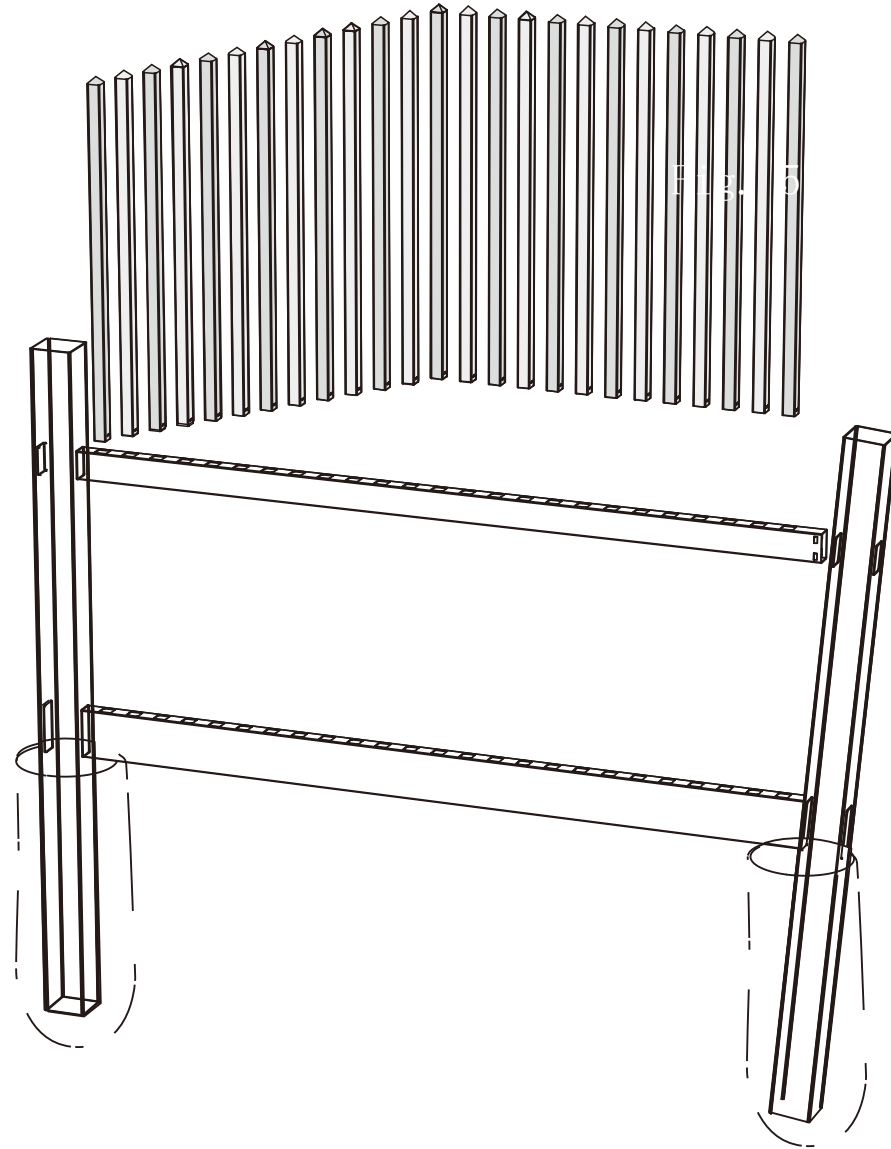
4 For Picket rails:

Insert top and bottom rails into top and bottom post hole routes of both posts.



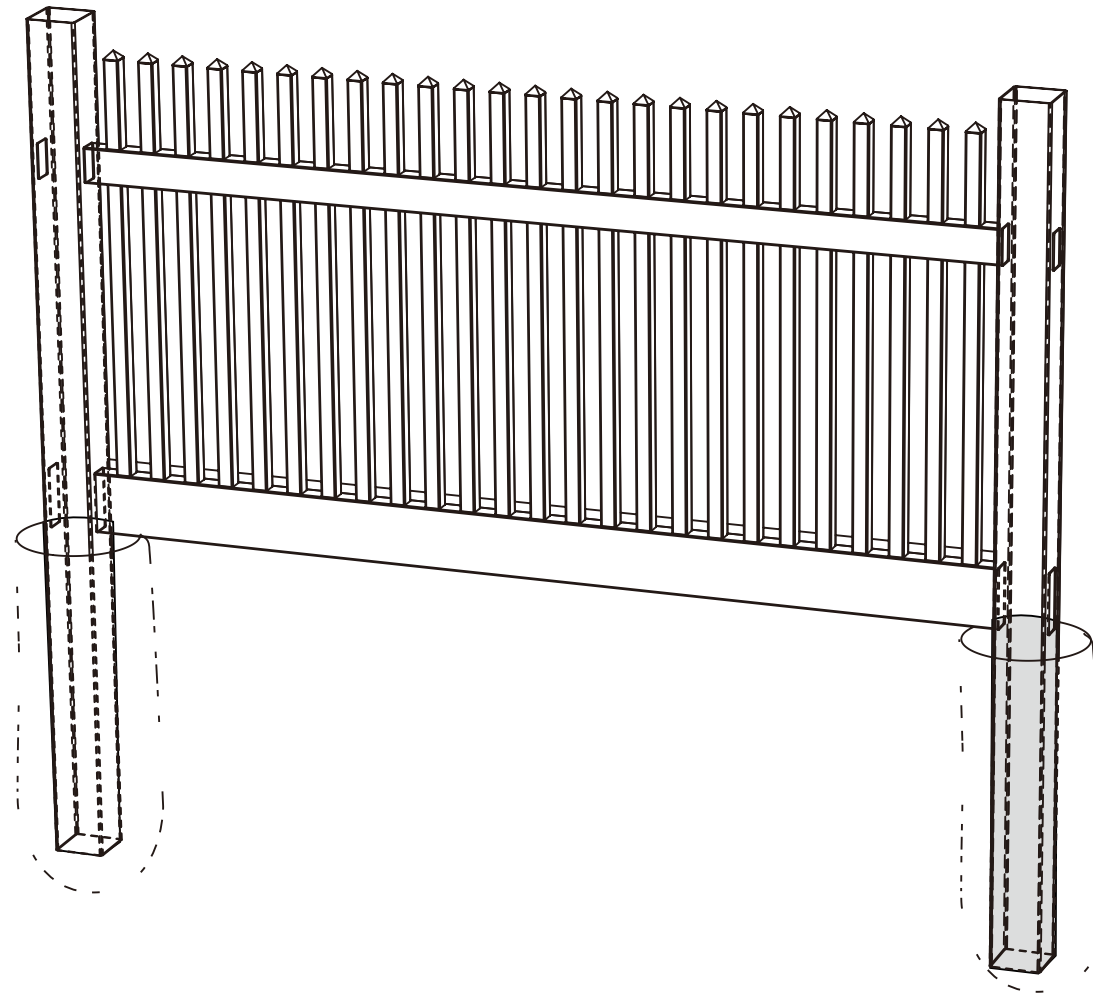
5 For Picket Panels

Starting from the left side, insert pickets/boards down through the top rail. Finish by locking pickets/boards into bottom rail.



6 For Picket post

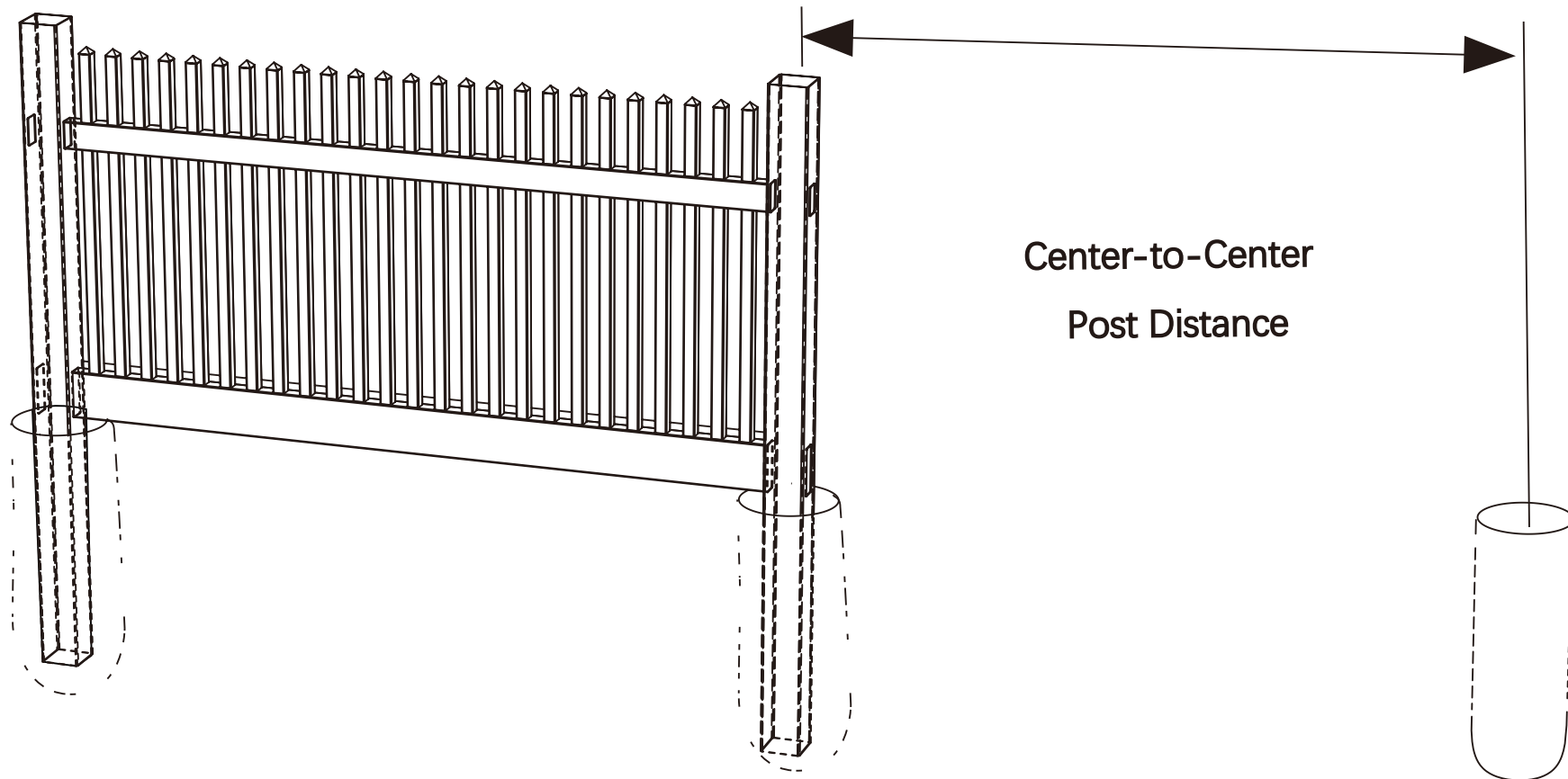
Plumb and level second post and add concrete according to manufacturer's instructions to top of post hole



7 dig the third post hole

Check to ensure the second post is level, then add panel width plus one half ($1 / 2$) the width of your post. This will locate the center of your next hole. Then dig the third post hole accordingly.

Repeat process from steps 2 to 5 until all fence panels and posts have been installed.



8 For caps

Apply glue on inside rim of post tops then attach to posts.

